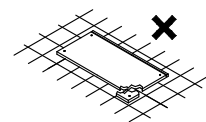
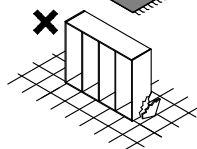
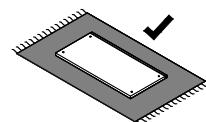
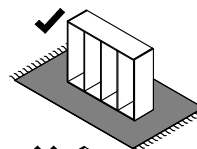
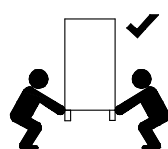
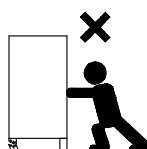
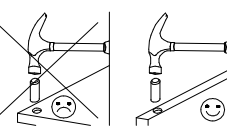
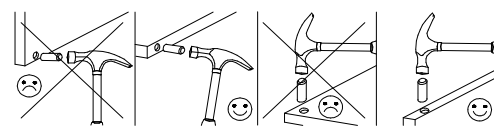
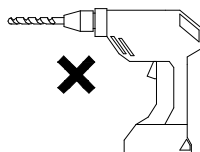
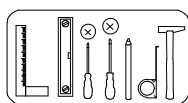
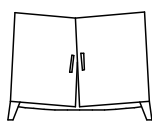
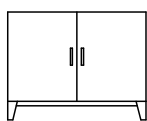
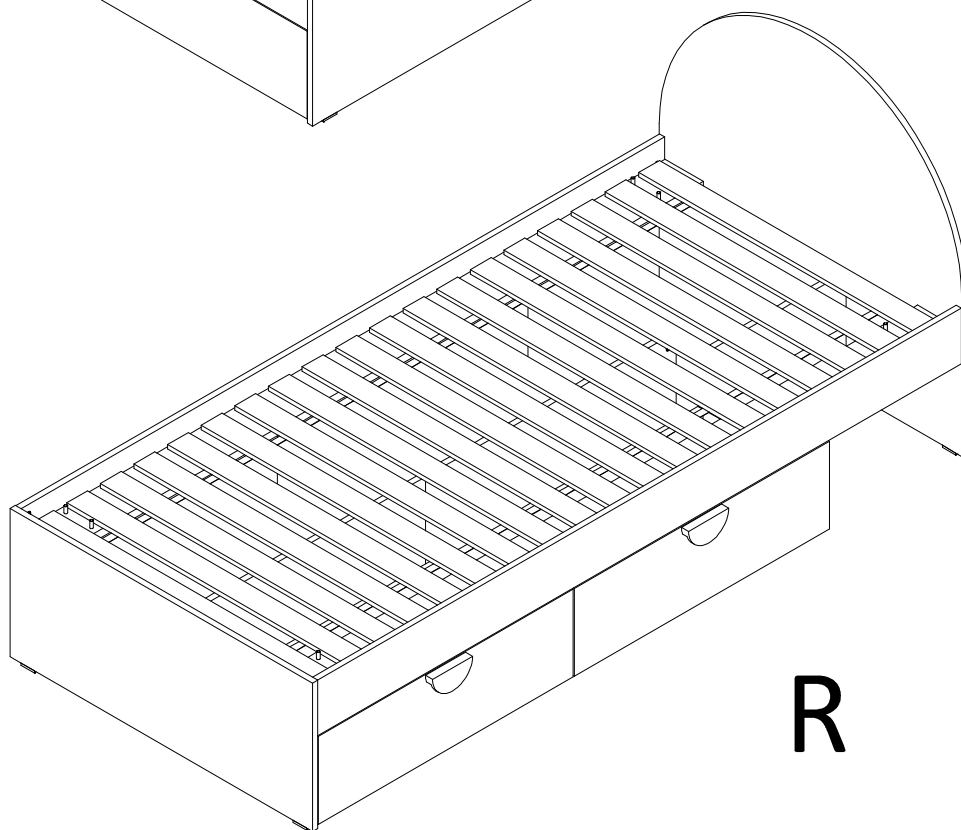
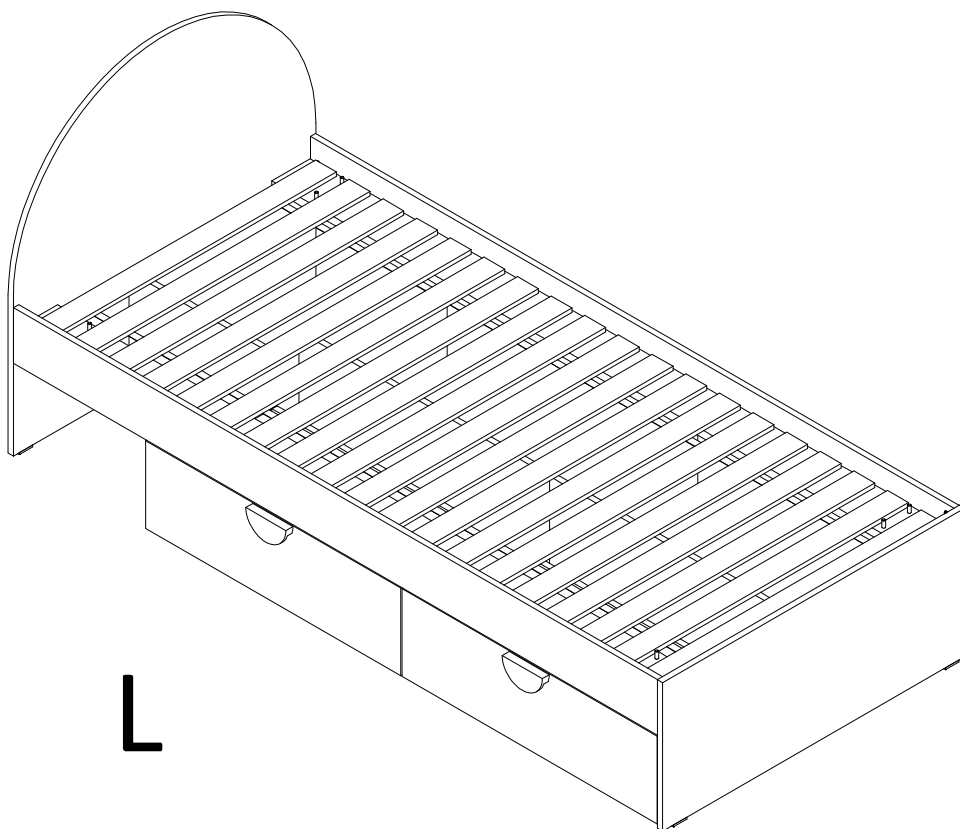
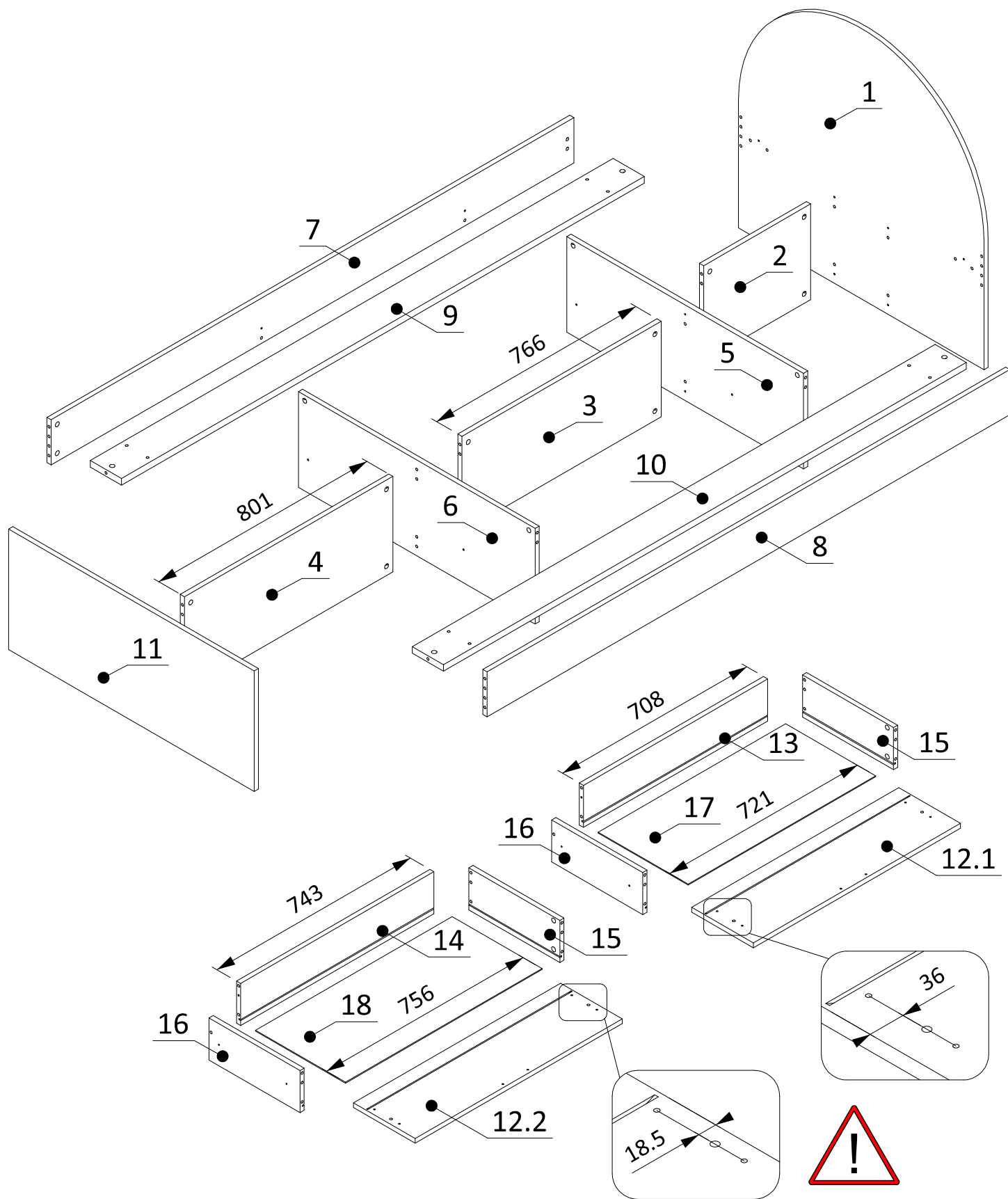



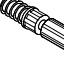


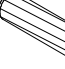
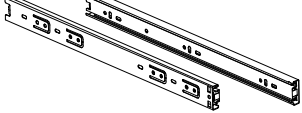



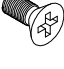



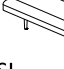




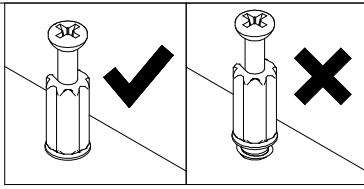
LEXI R-13

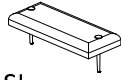
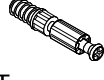
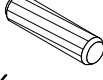


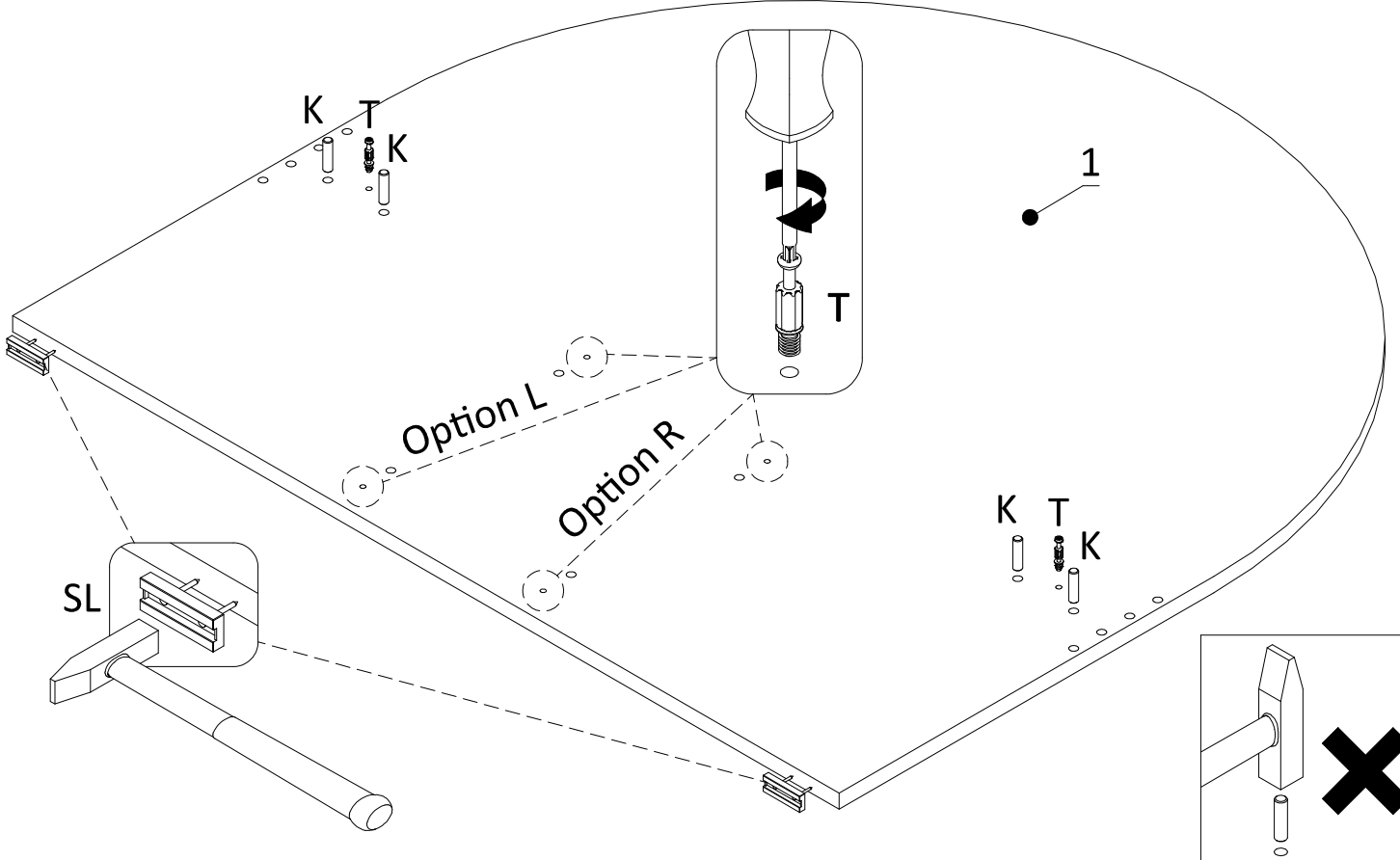


| | | | | | | | | | | |
|--|---|---|---|---|---|--|---|---|---|--|
|  E1 |  W6 |  T1 |  T |  M |  K1 |  K |  2x PK-OH35-350 | | | |
| 5x13 12x | 4x30 4x | L56 2x | L20,3 28x | 15/12 32x | 8x45 2x | 8x30 48x | | | | |
|  KF |  S5 |  S6 |  S2 |  TL |  U |  KL |  SL |  ZM |  ZK | |
| 7x50 4x | M6x55 4x | M6x13 4x | M4x8 4x | M4x15 2x | | SW4 1x | 8x 8x | 32x 32x | 4x 4x | |

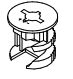
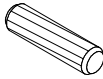
1

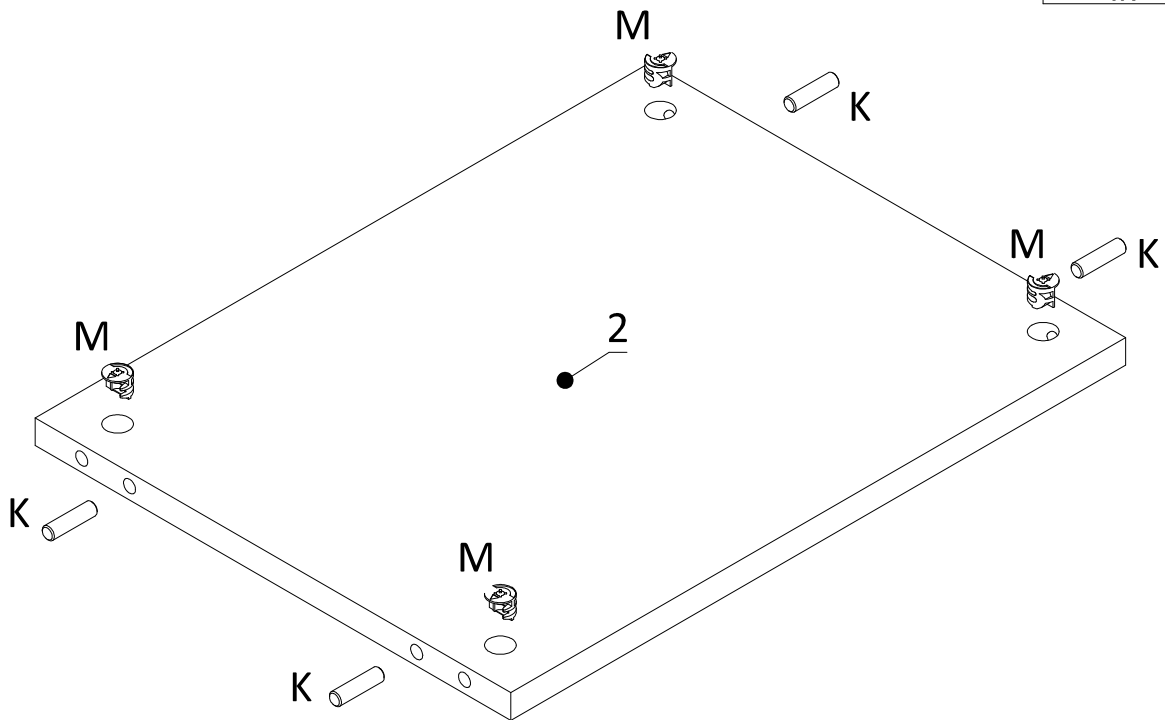


| | | |
|--|---|---|
|  SL |  T |  K |
| 2x | 47x | 4x |


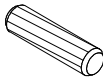
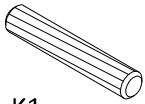


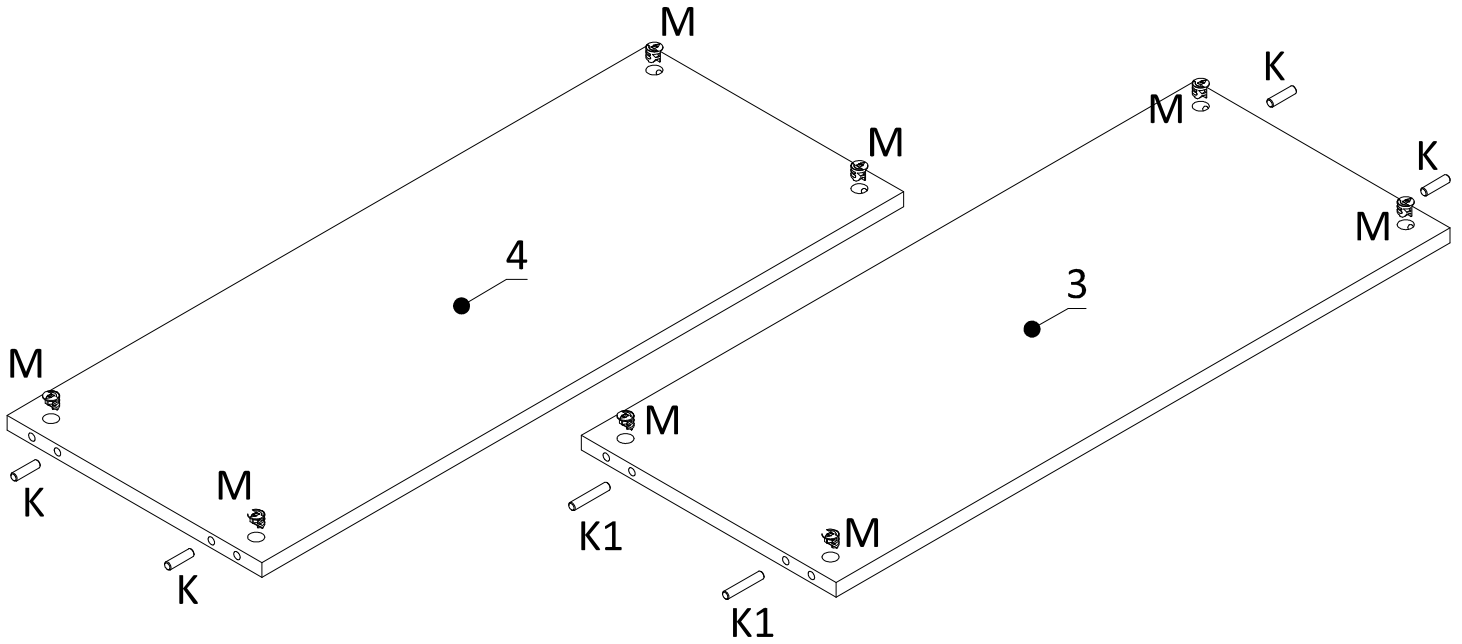
2

| | |
|--|--|
|  M |  K |
| 4x | 4x |

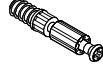
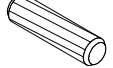


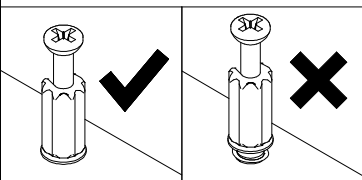
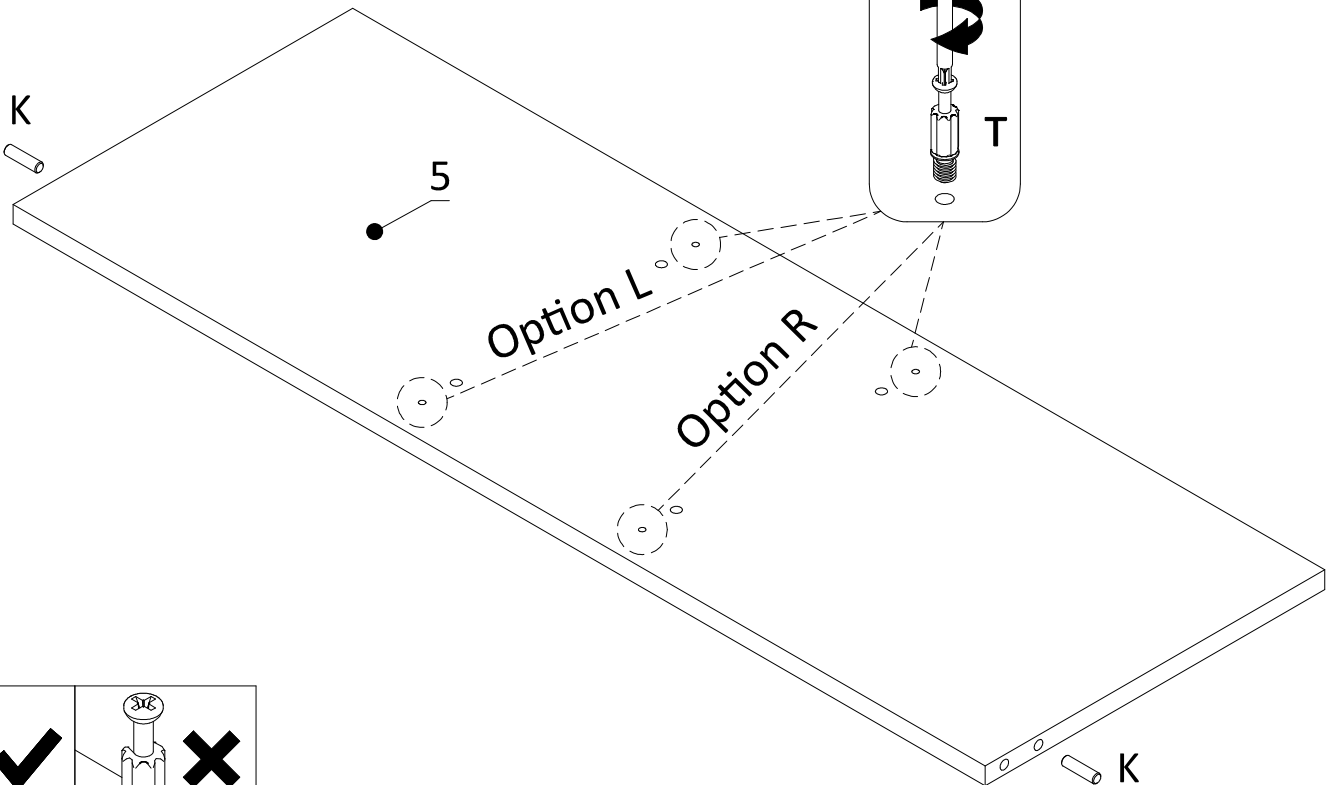
3

| | | |
|--|--|--|
|  |  |  |
| M | K | K1 |
| 8x | 4x | 2x |

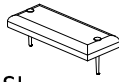

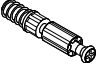


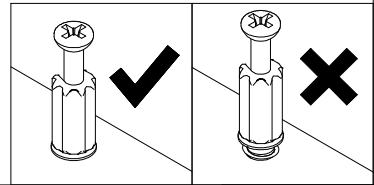
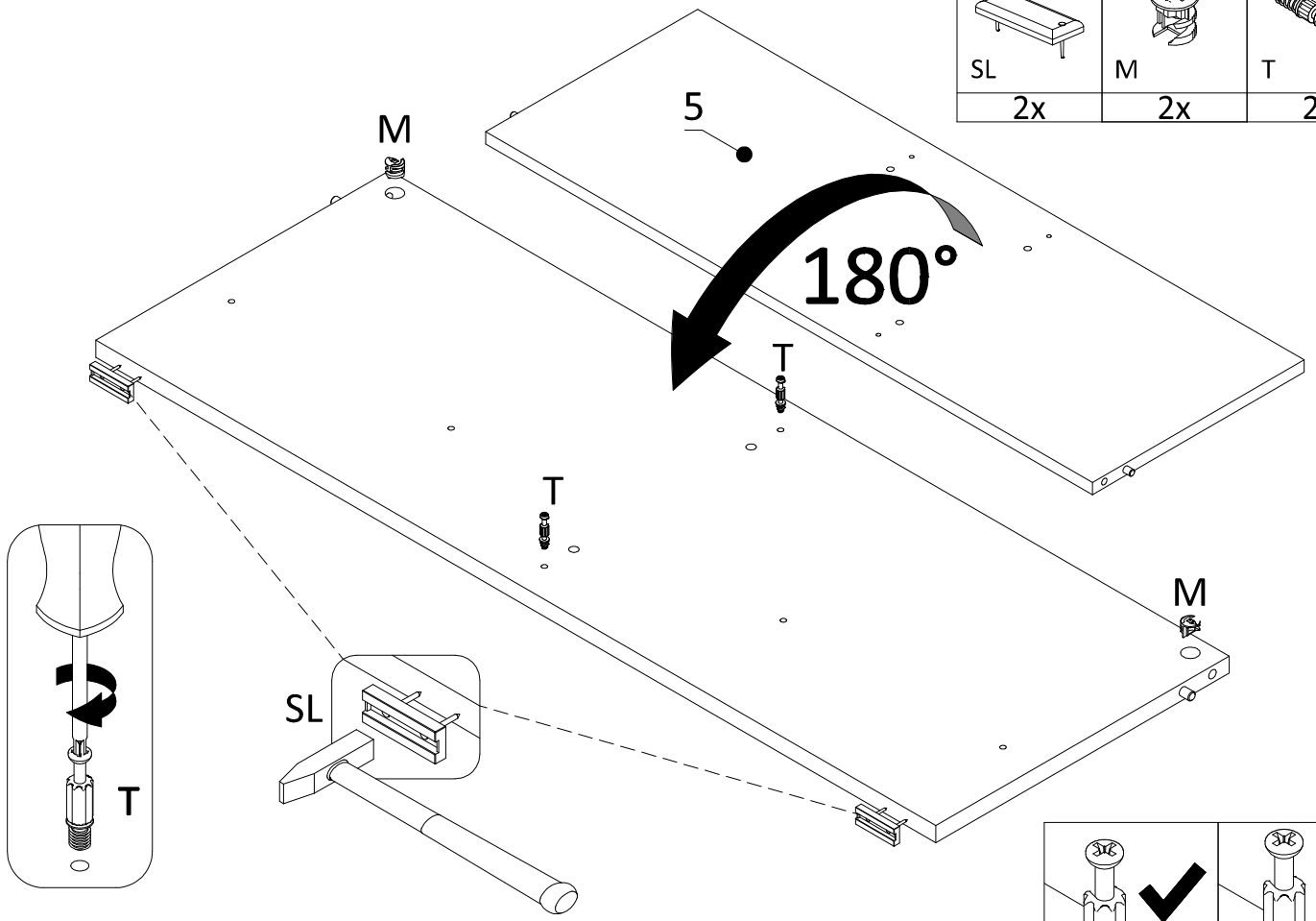
4

| | |
|---|---|
|  |  |
| T | K |
| 2x | 2x |

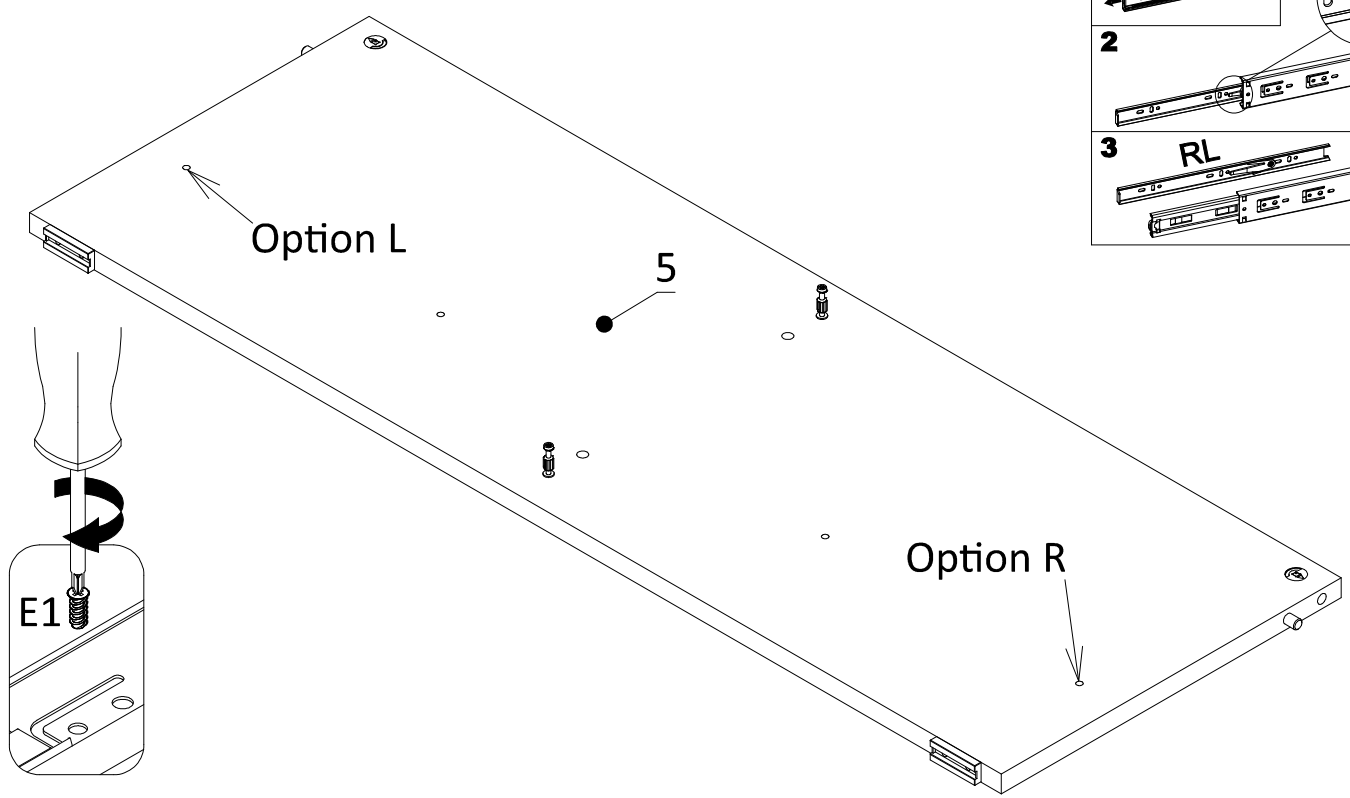
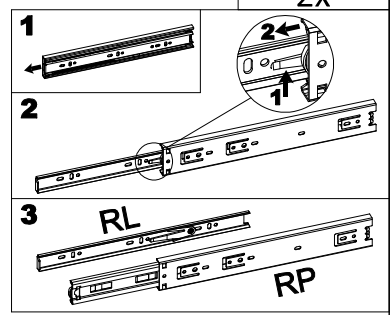
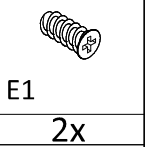
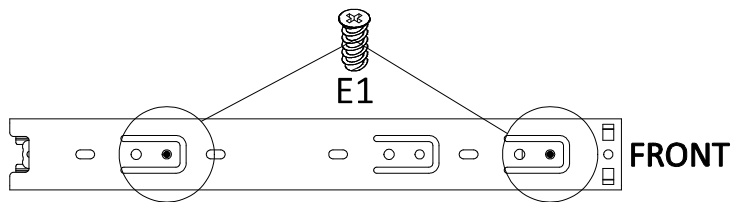


5

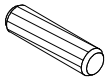
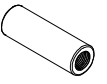
| | | |
|--|--|--|
|  |  |  |
| SL | M | T |
| 2x | 2x | 2x |

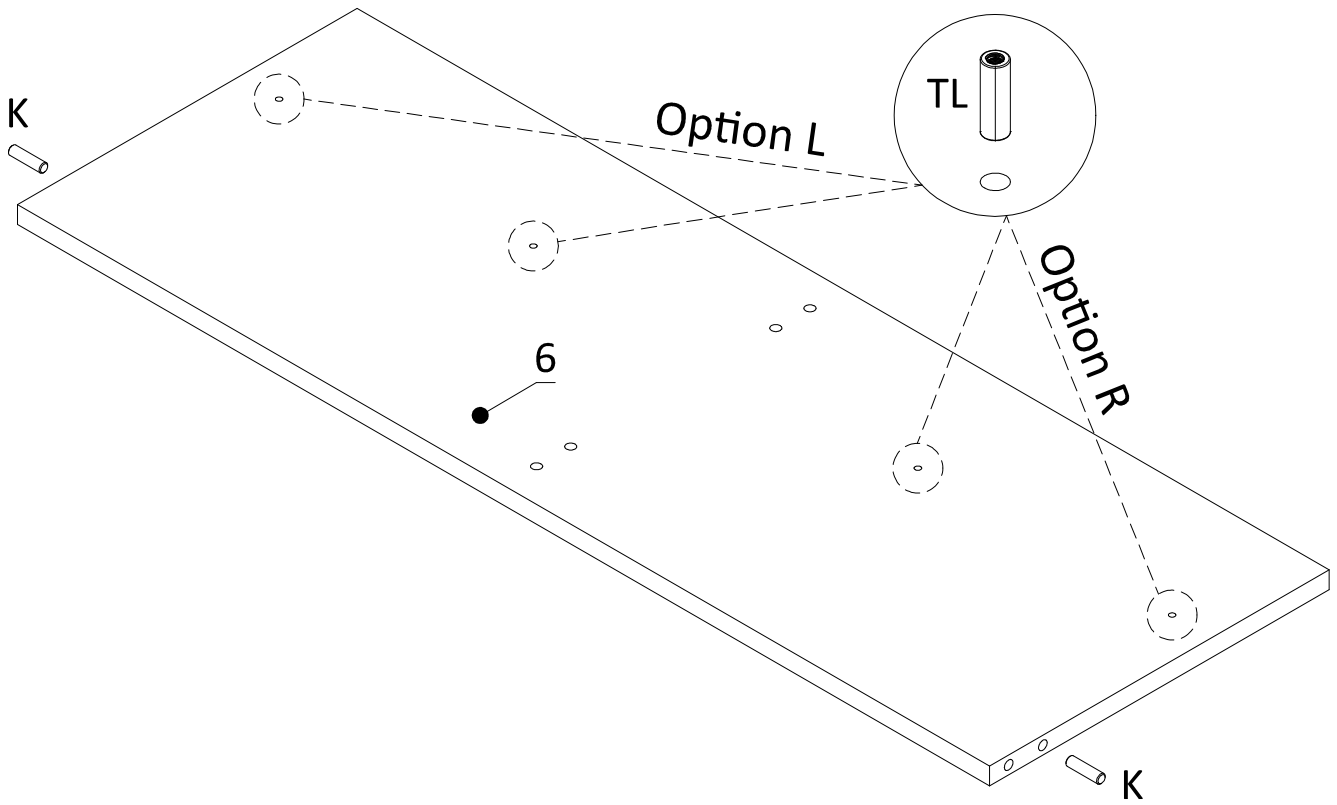


6

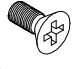


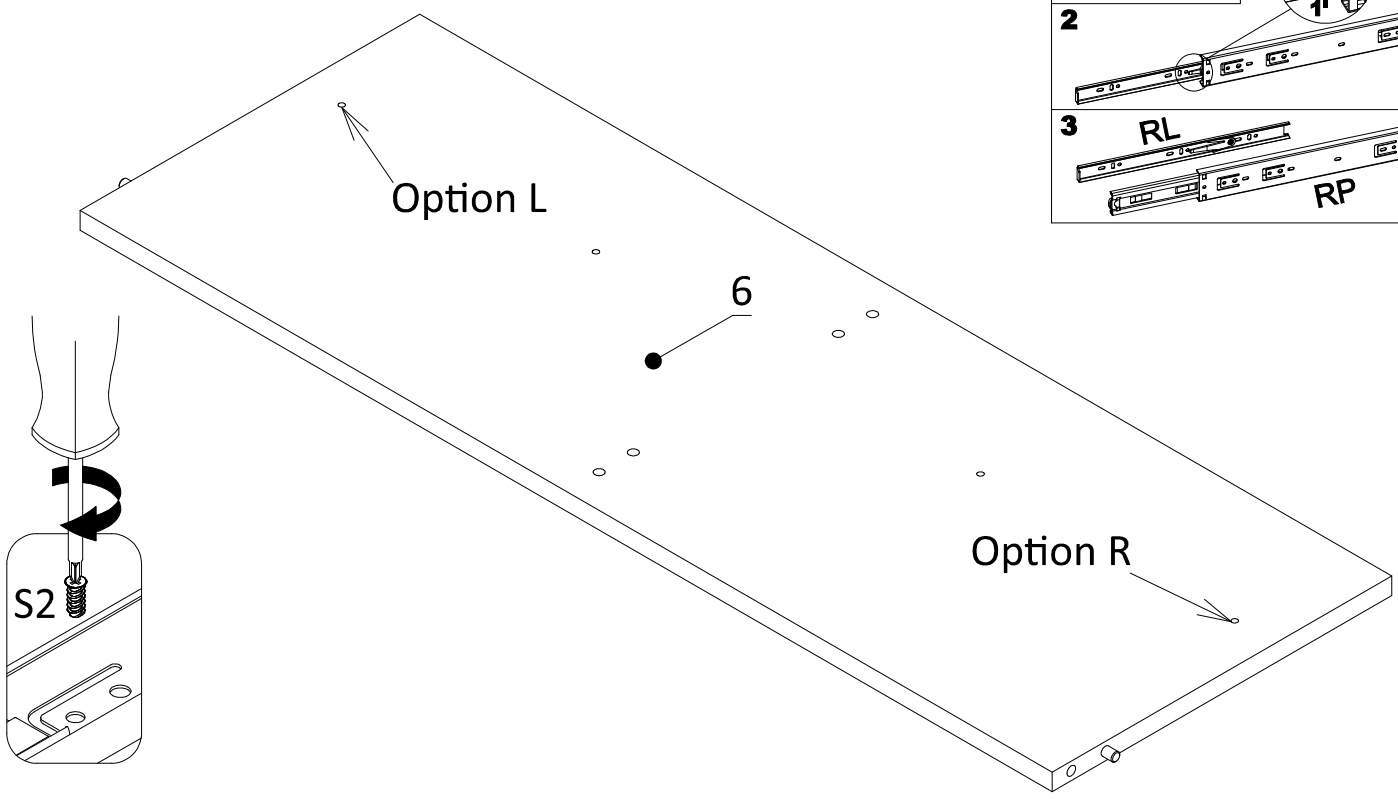
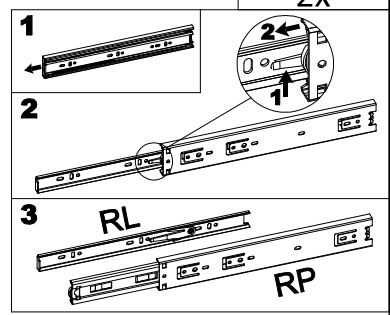
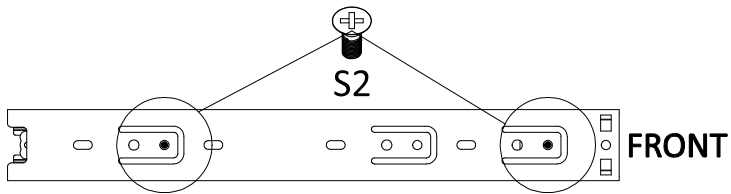
7

| | |
|--|--|
|  |  |
| K | TL |
| 2x | 2x |

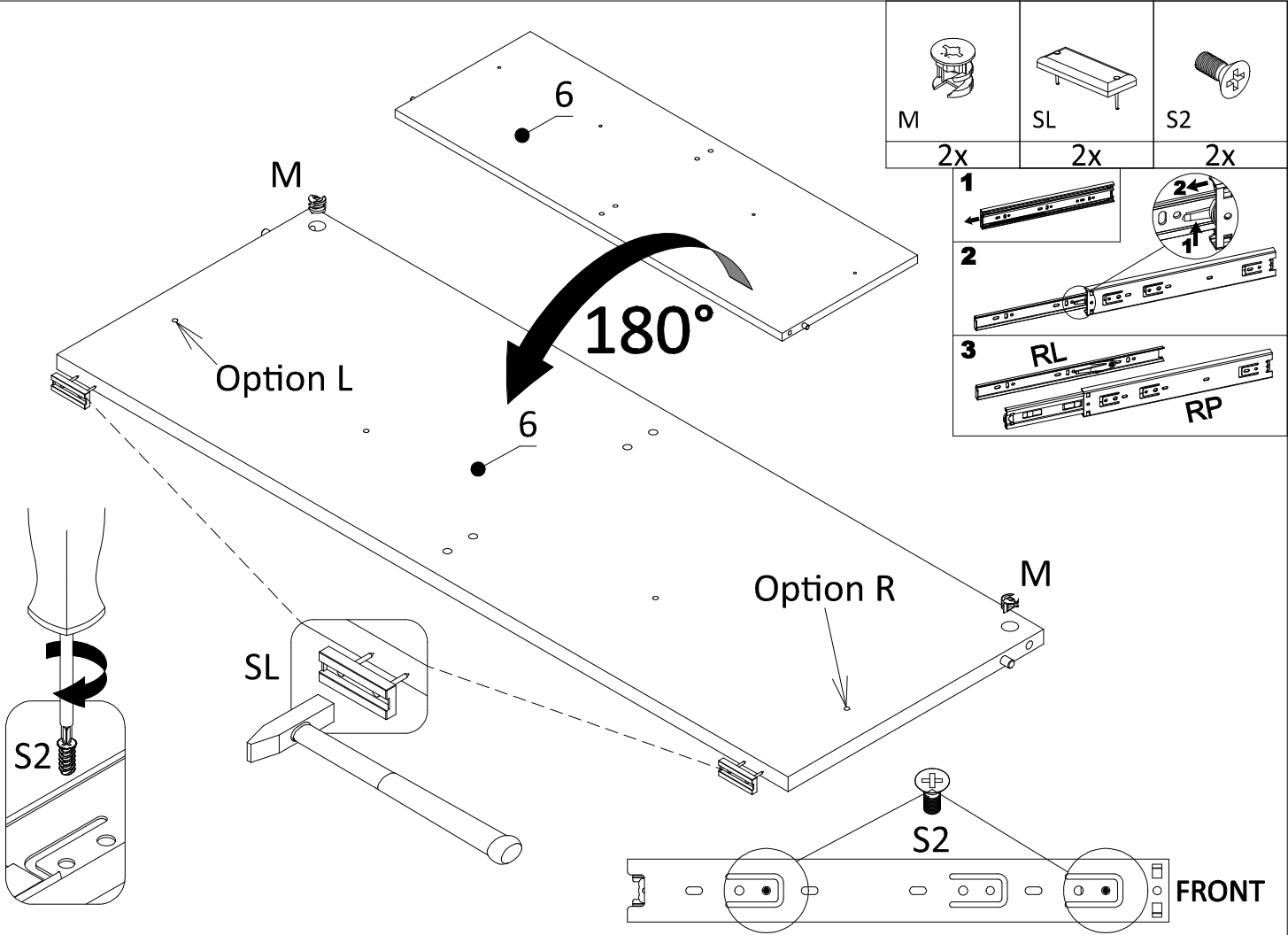


8

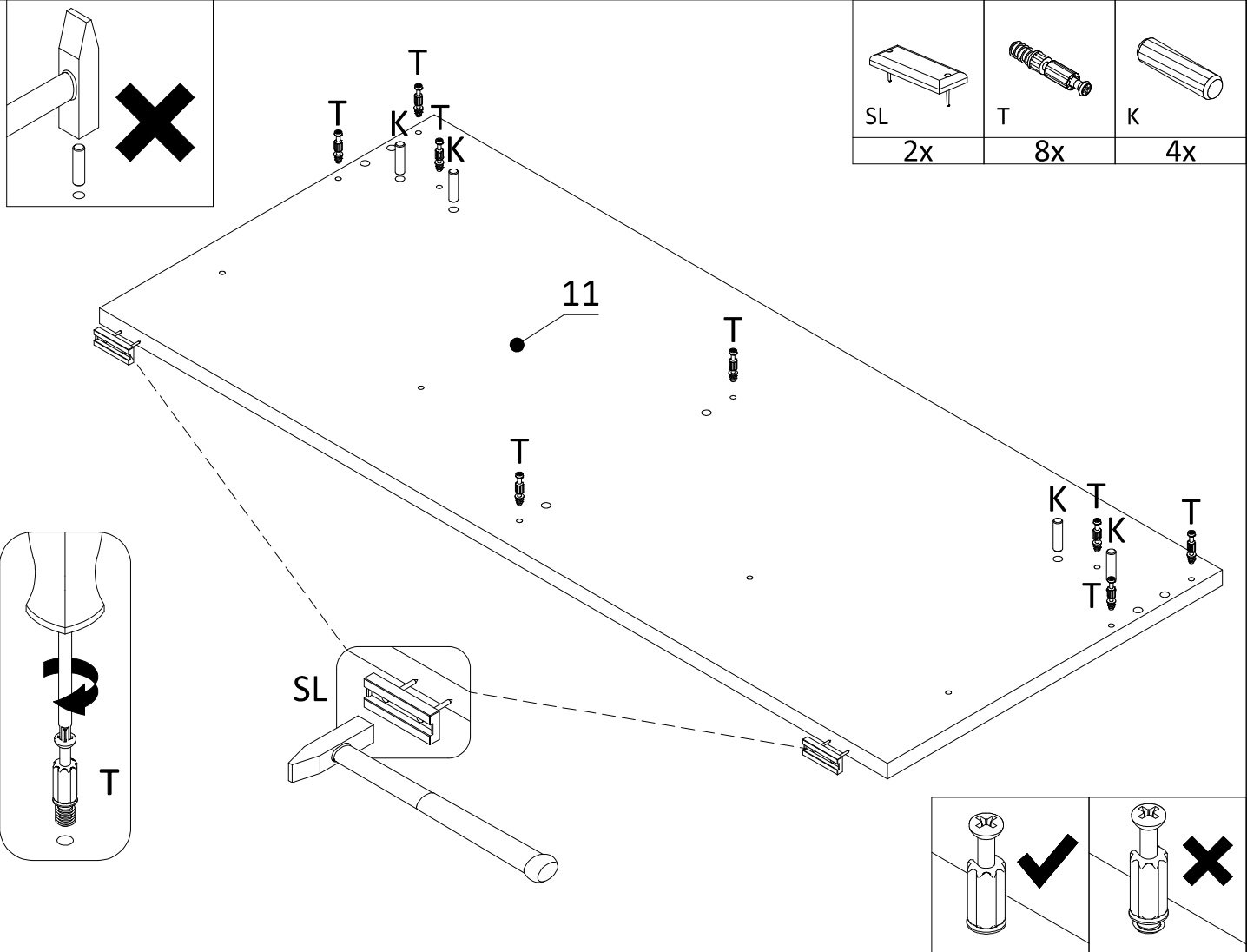
| |
|---|
|  |
| S2 |
| 2x |



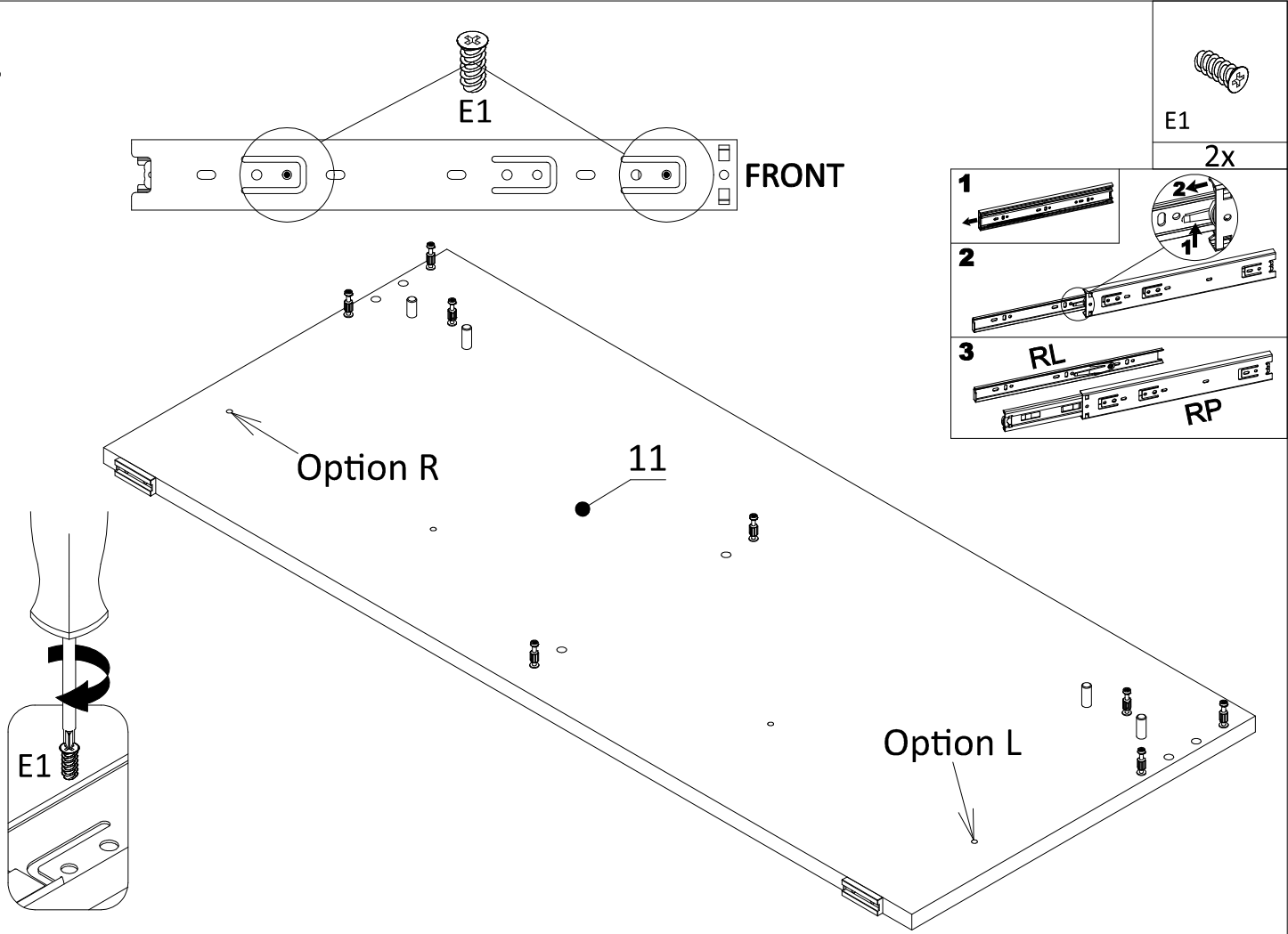
9



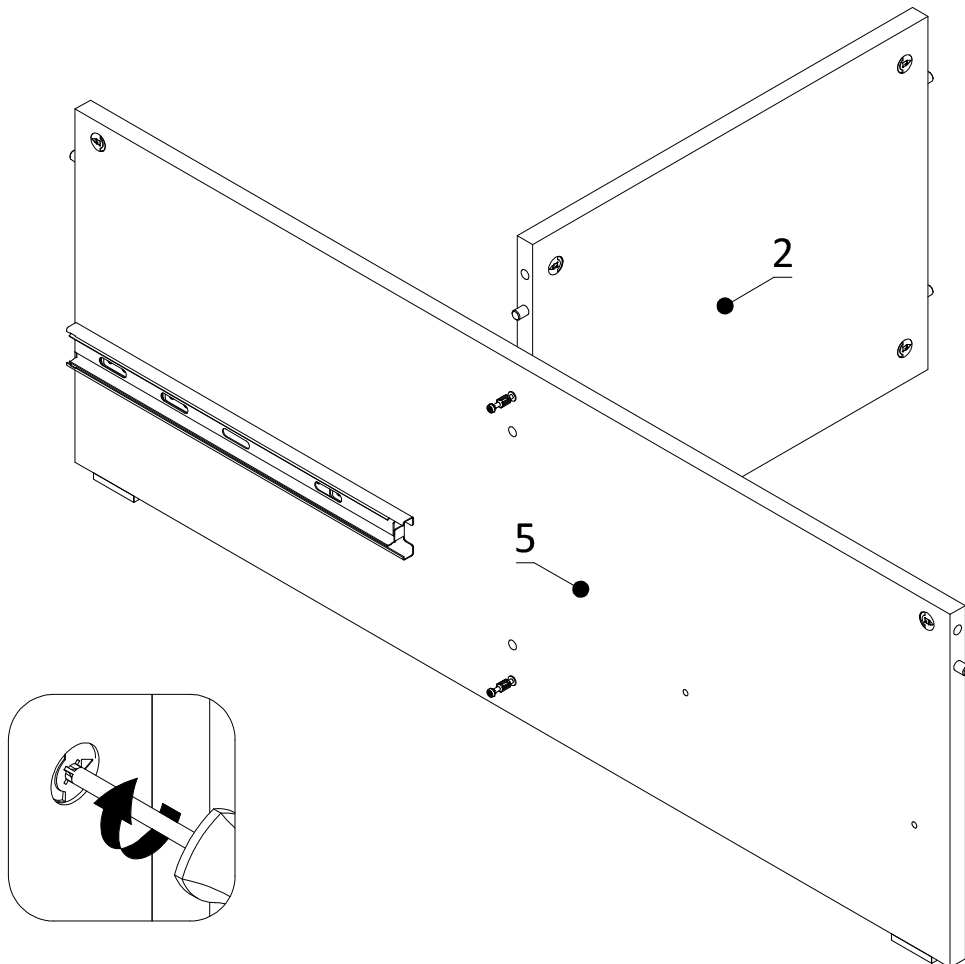
10



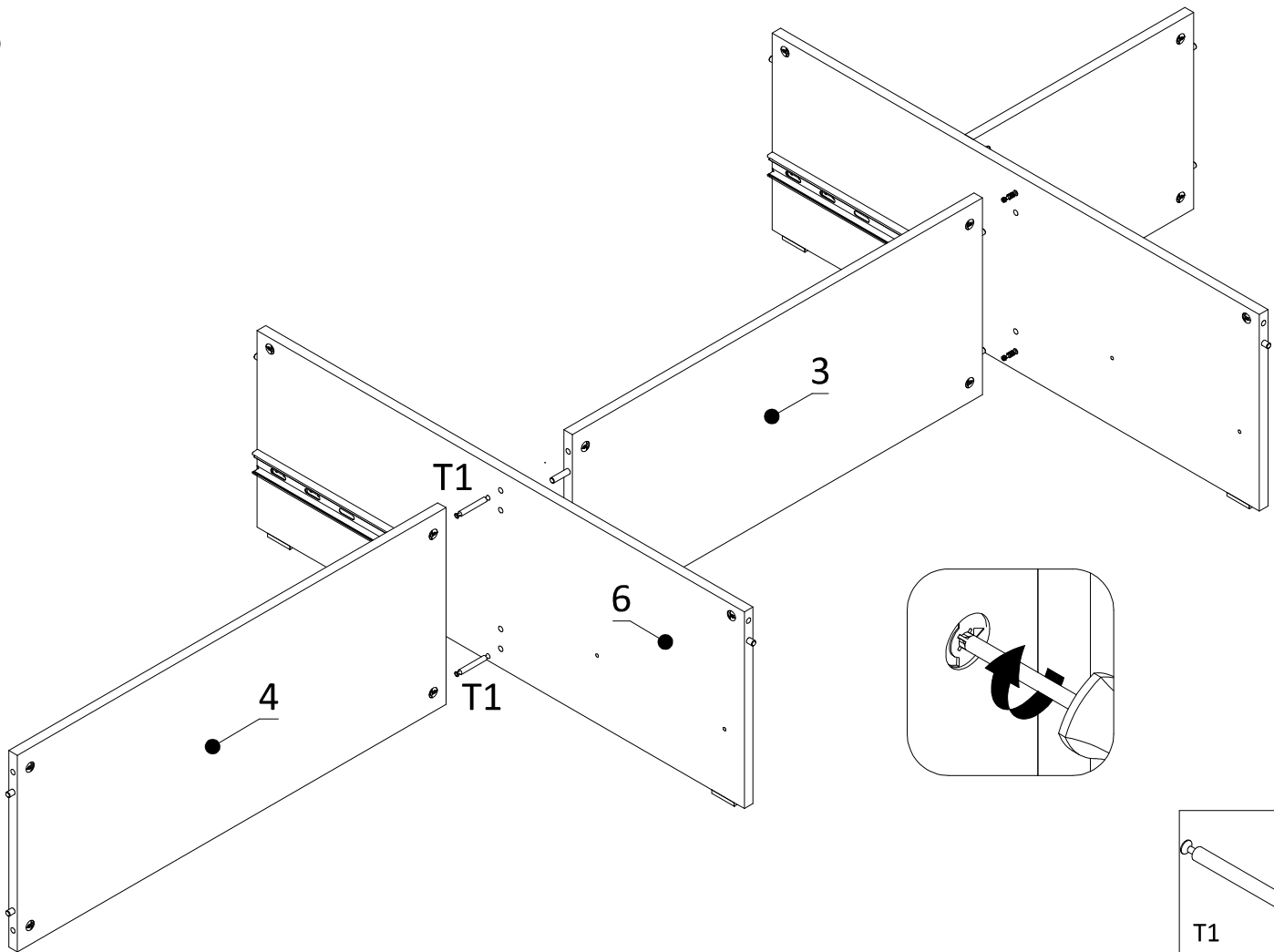
11



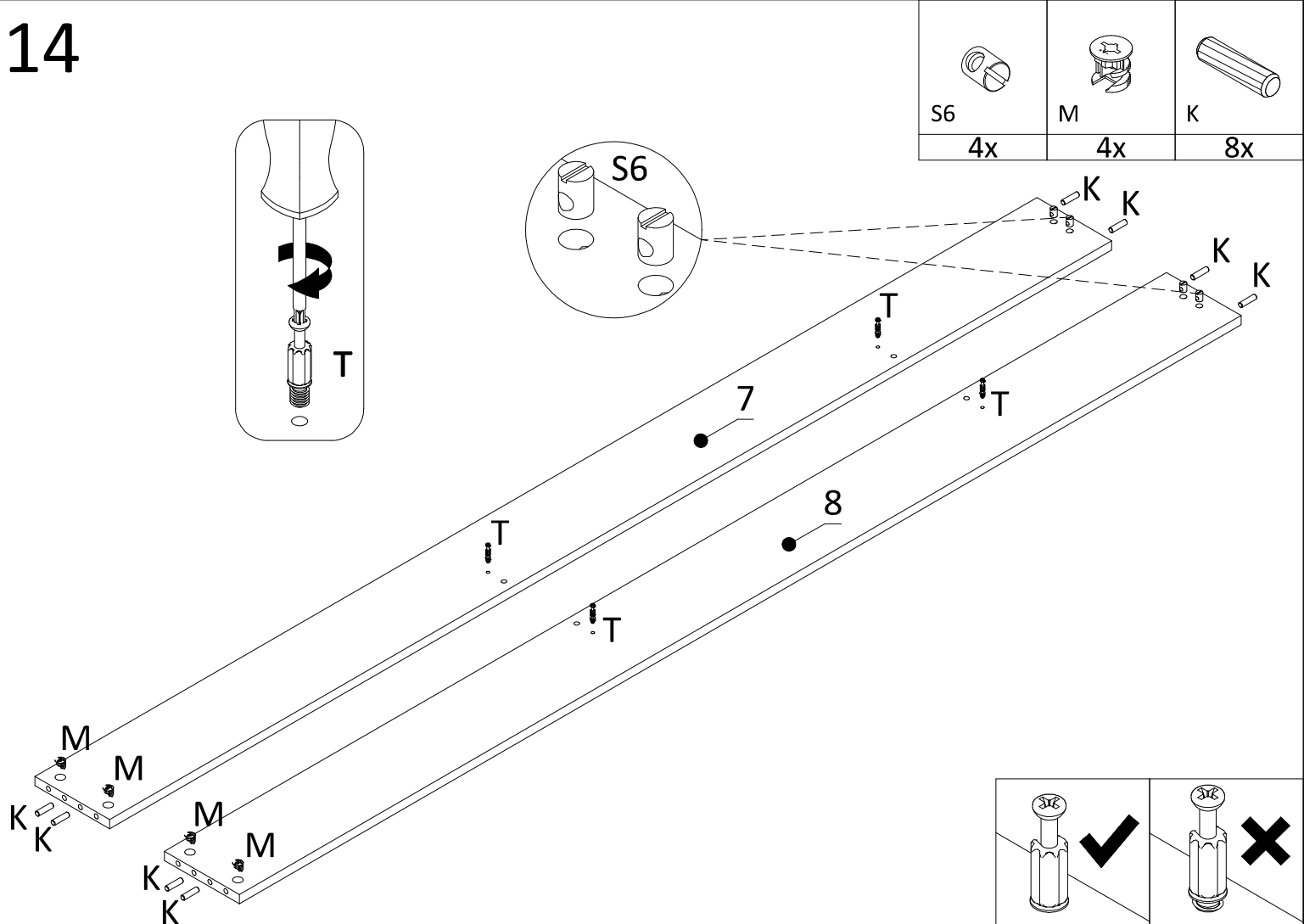
12



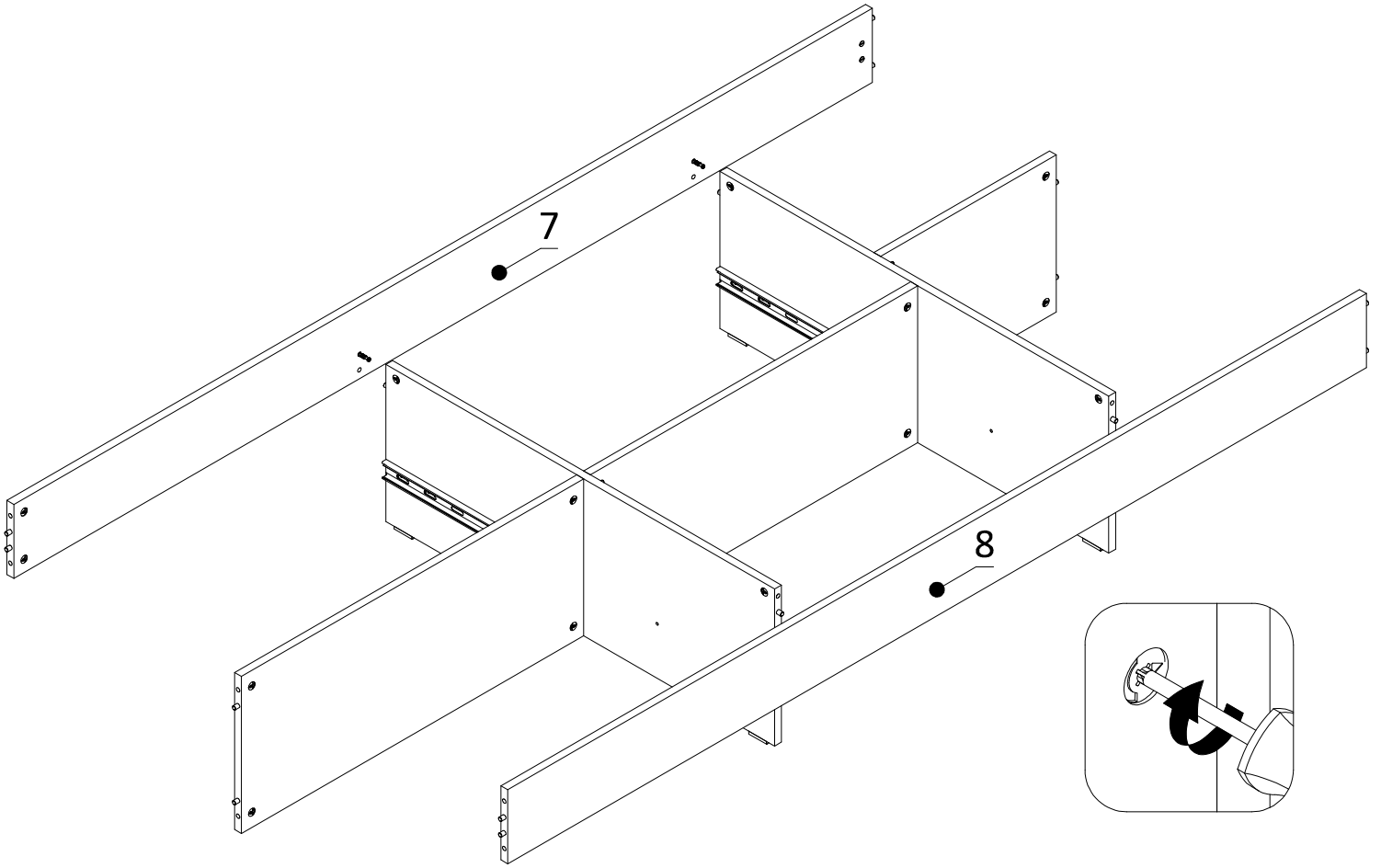
13



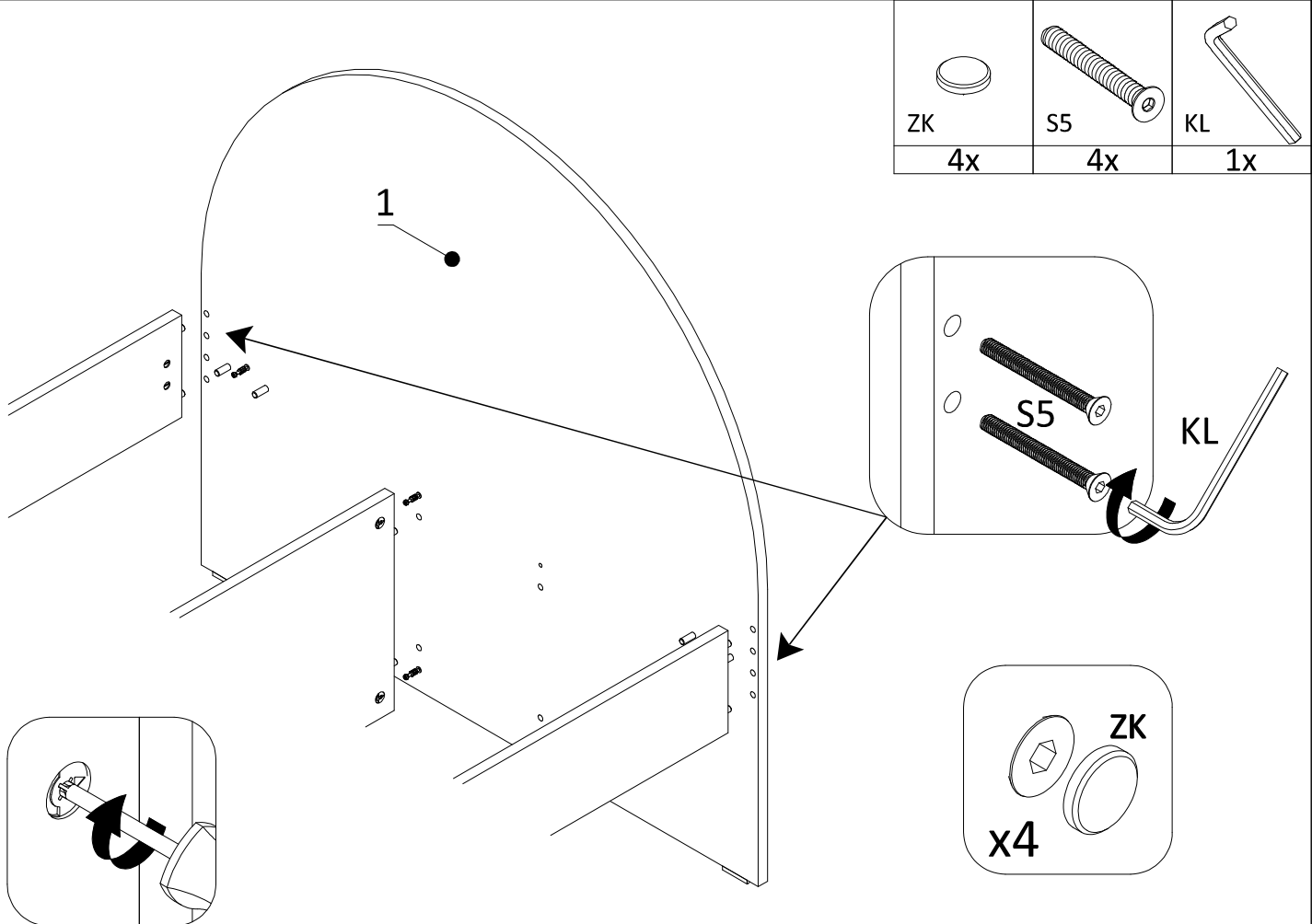
14




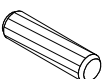
15

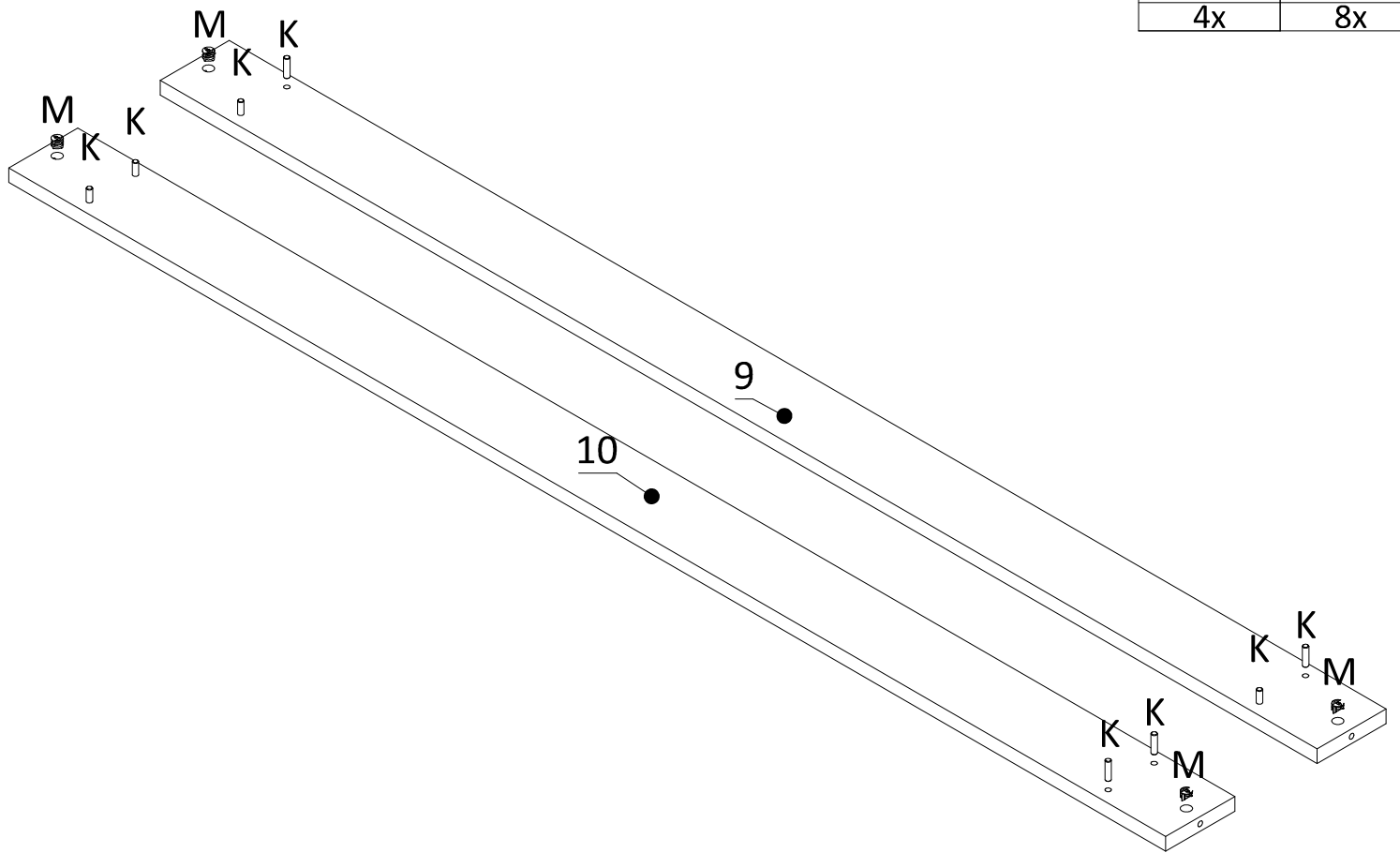


16

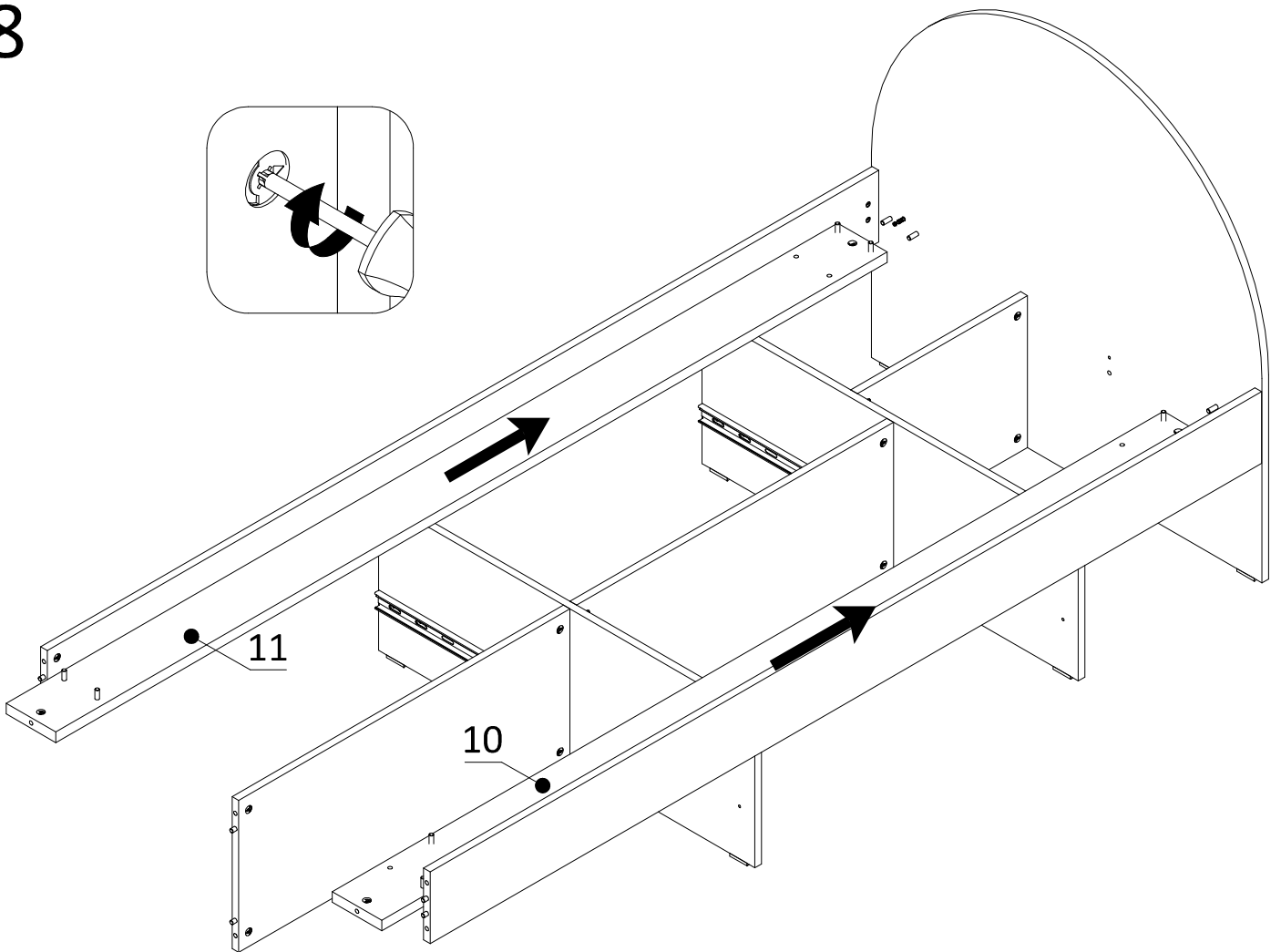
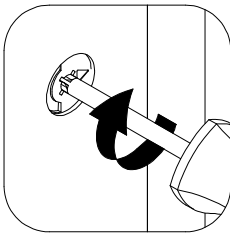


17

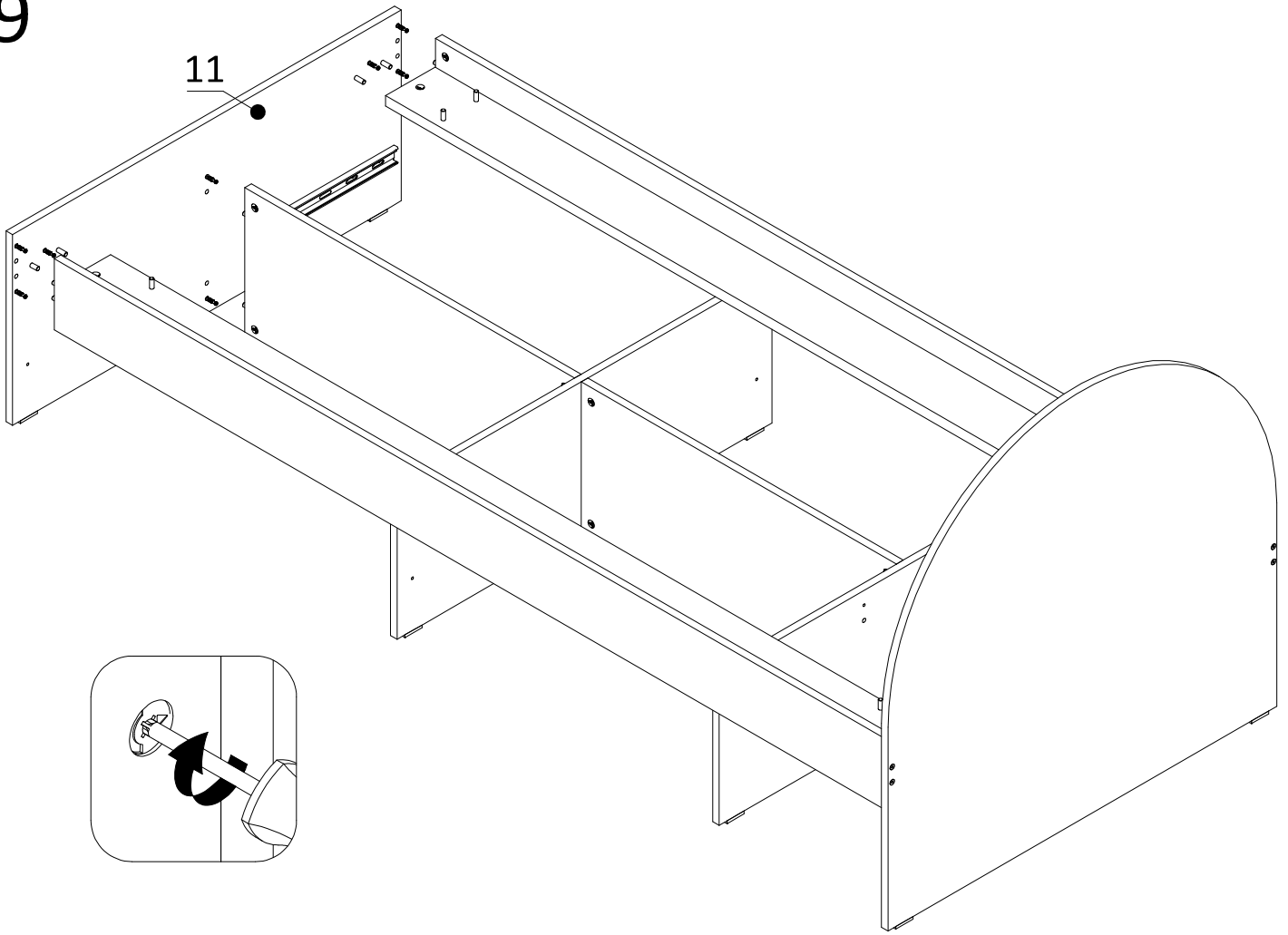
| | |
|--|--|
|  |  |
| M | K |
| 4x | 8x |



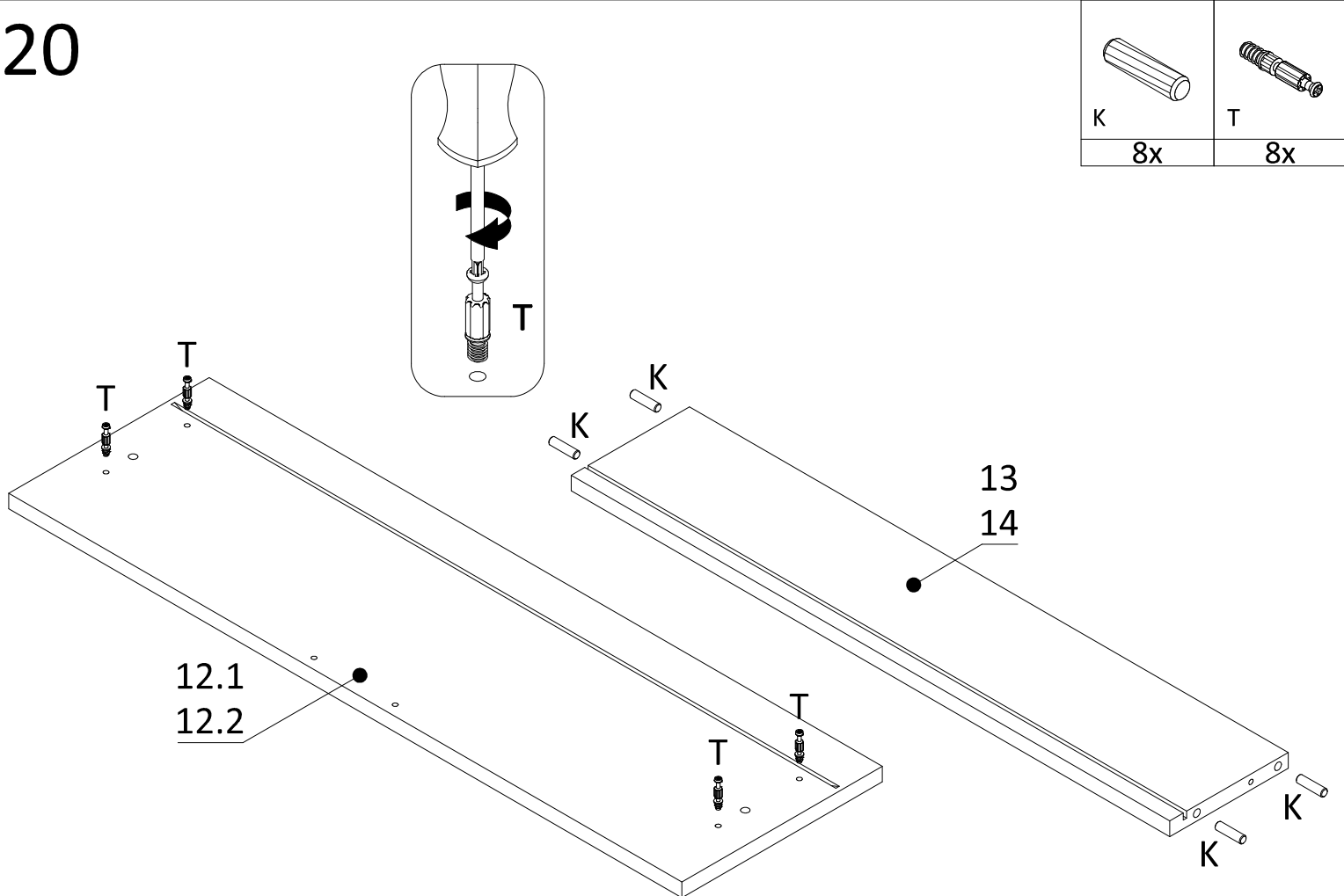
18



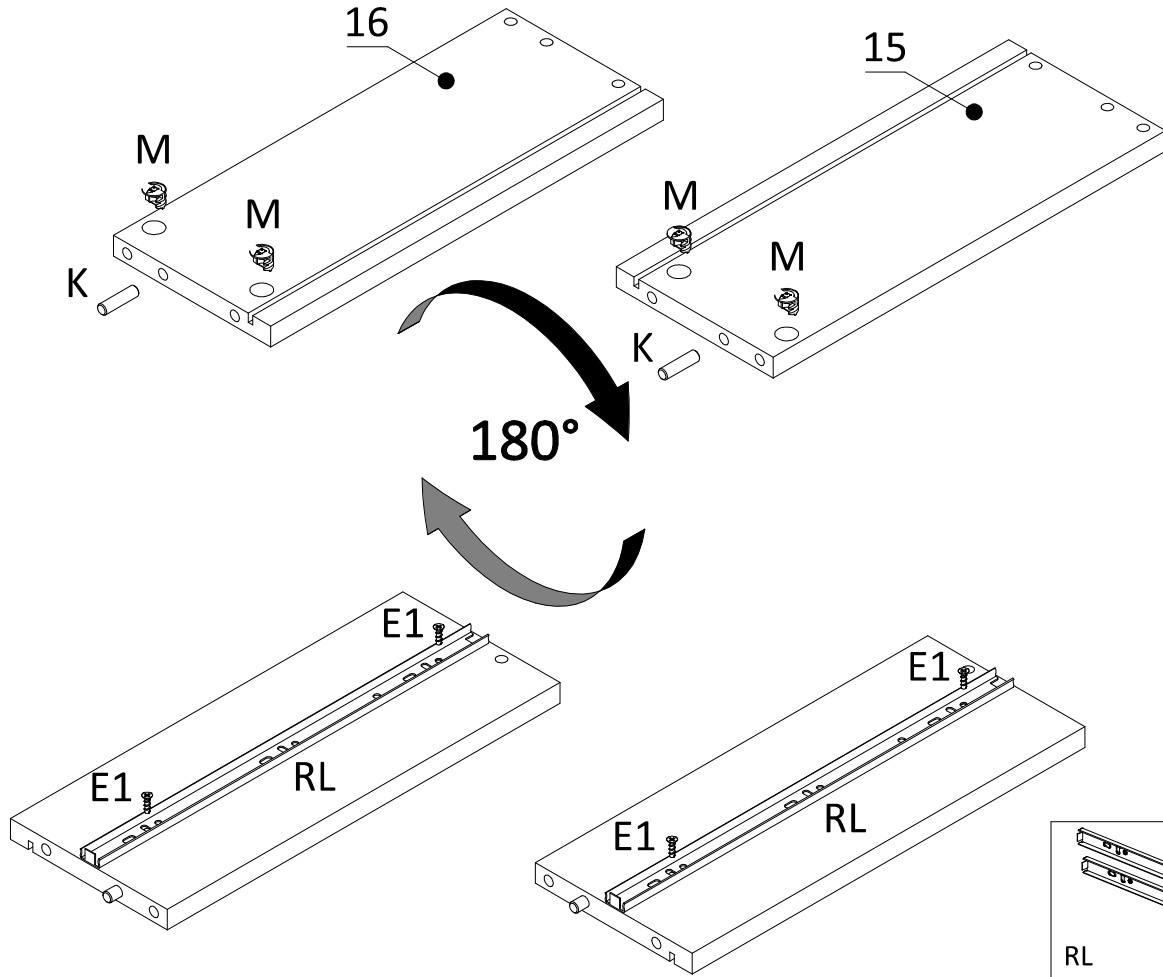
19


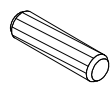


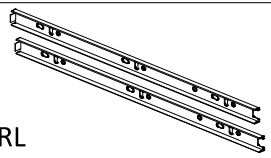

20



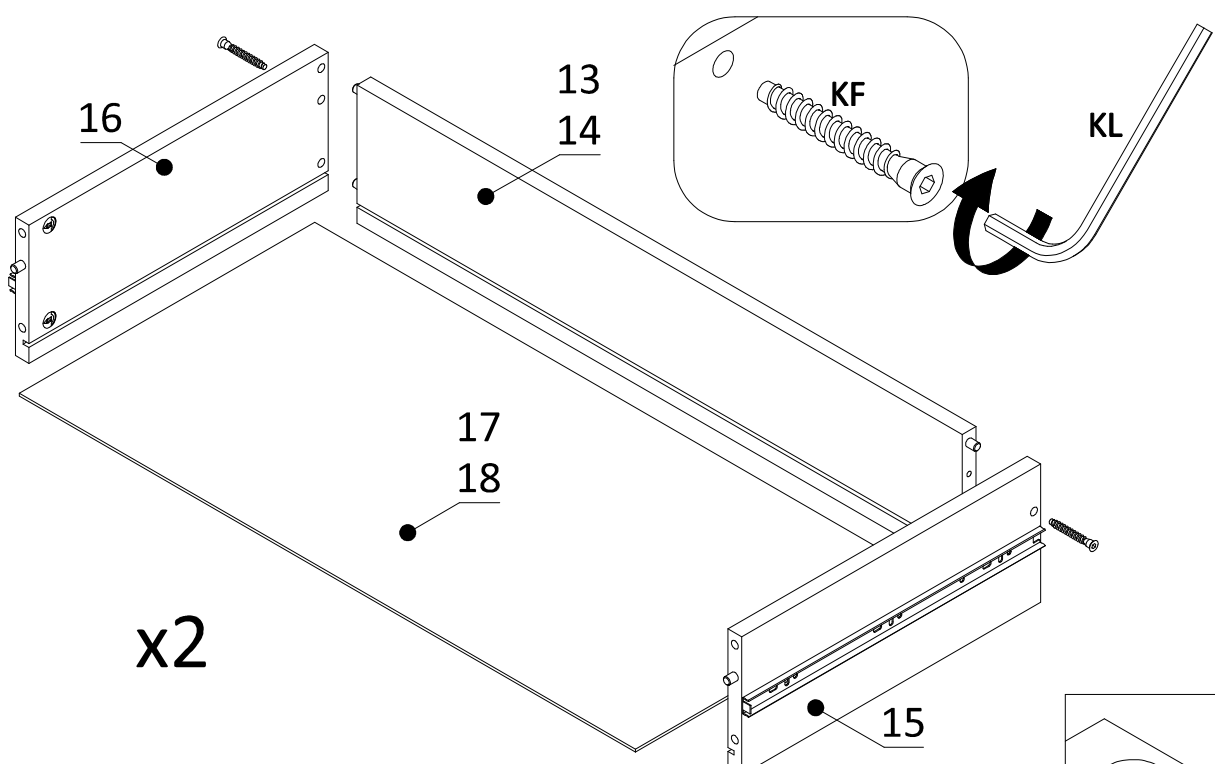
21

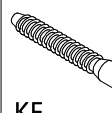
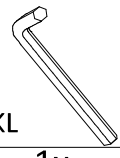


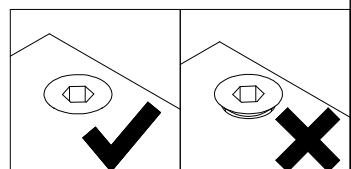
| | |
|--|--|
|  |  |
| M | K |
| 8x | 4x |

| | |
|--|--|
|  |  |
| RL | E1 |
| 2x | 8x |

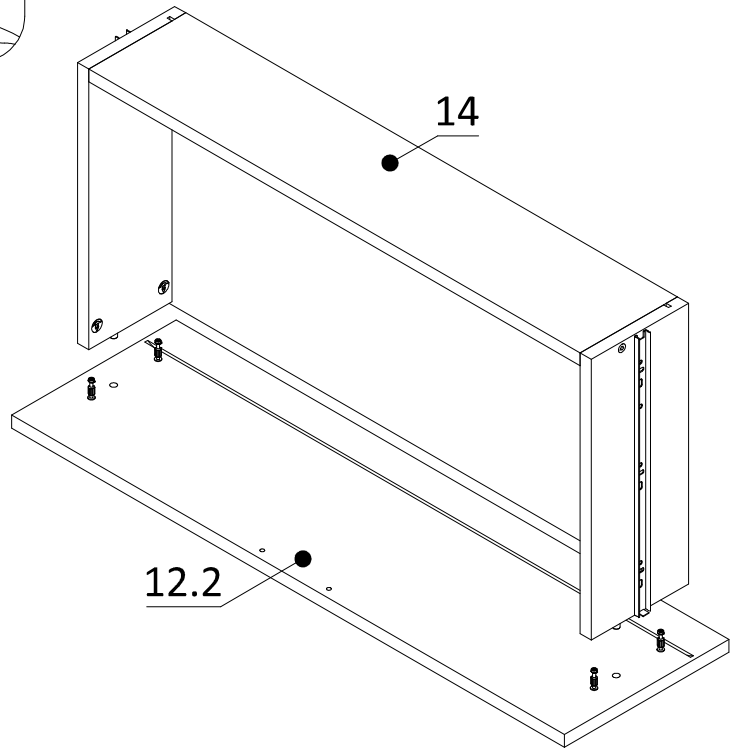
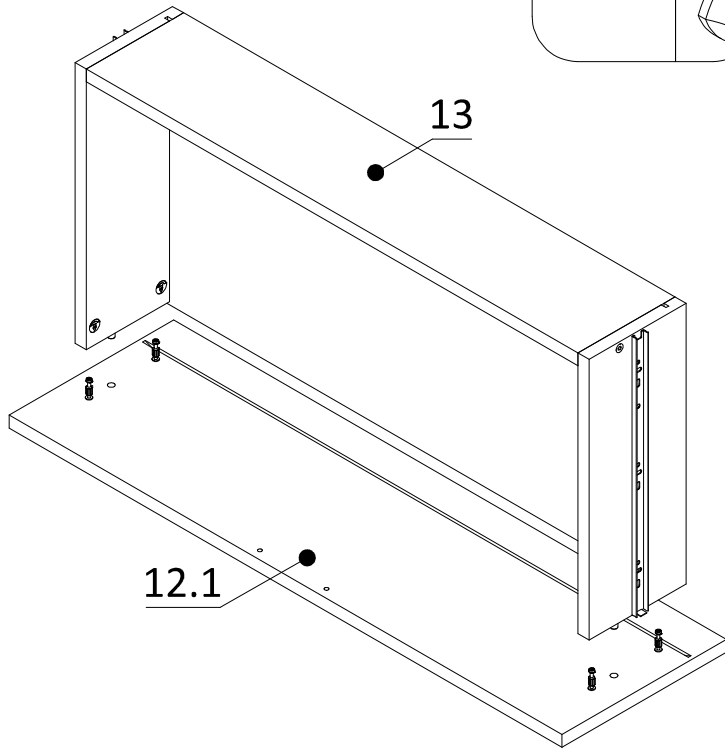
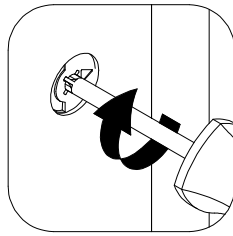
22



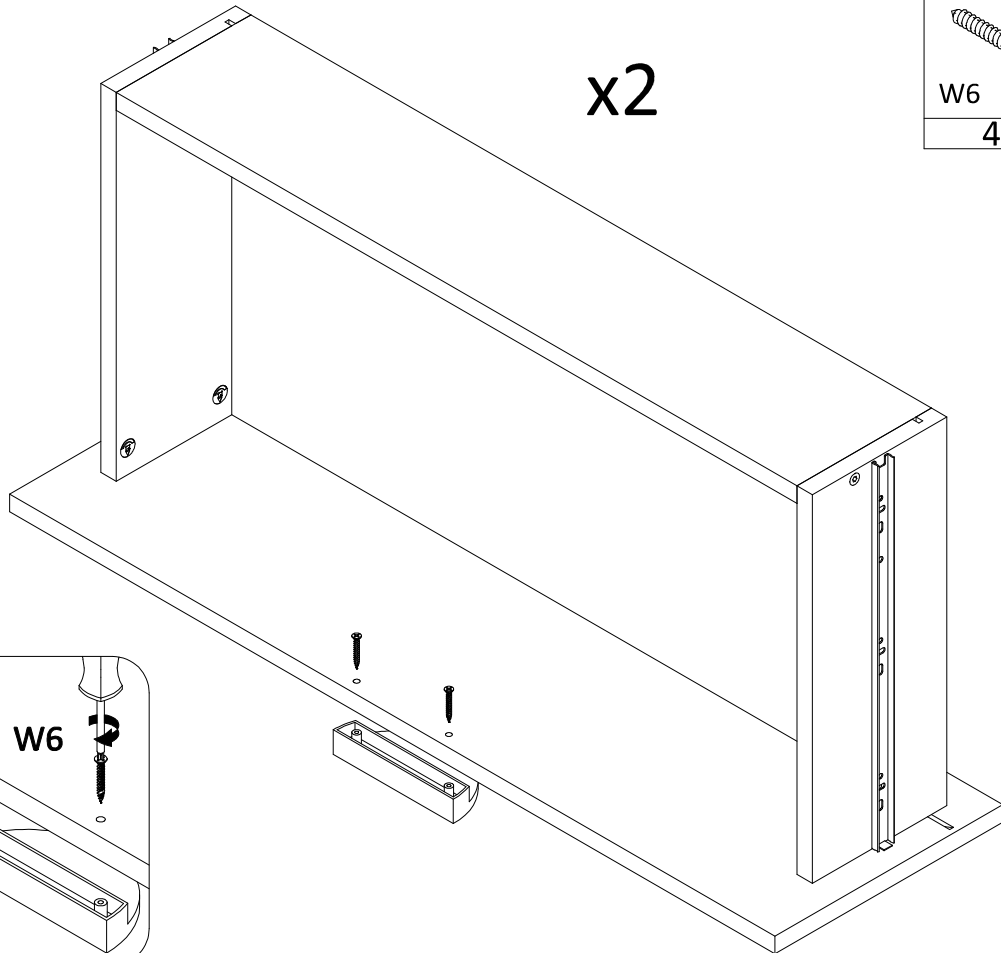
| | |
|---|---|
|  |  |
| KF | KL |
| 4x | 1x |




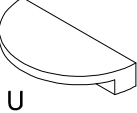
23

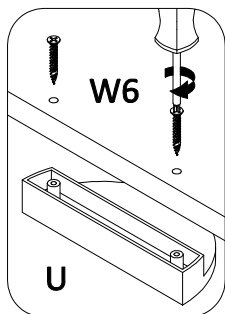


24

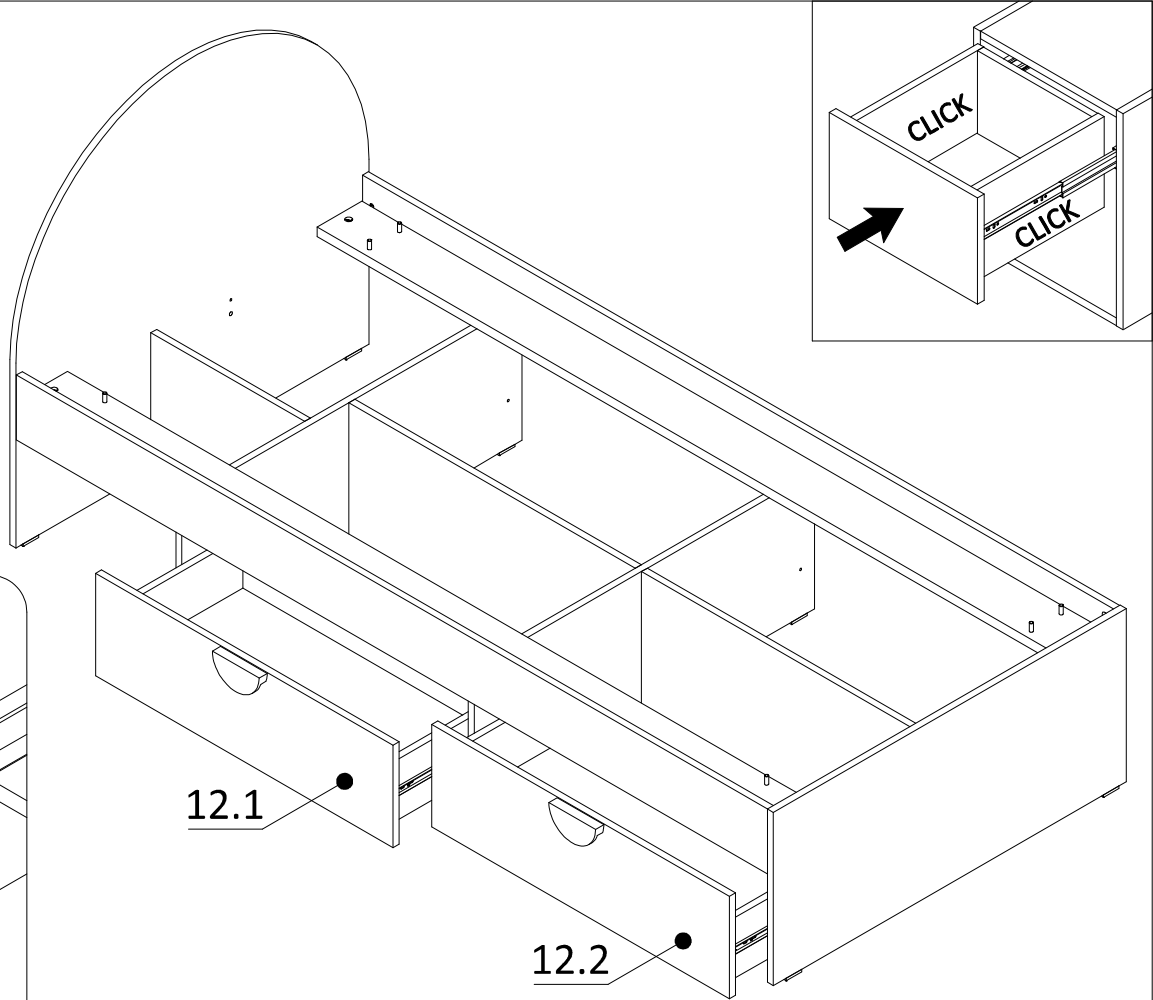
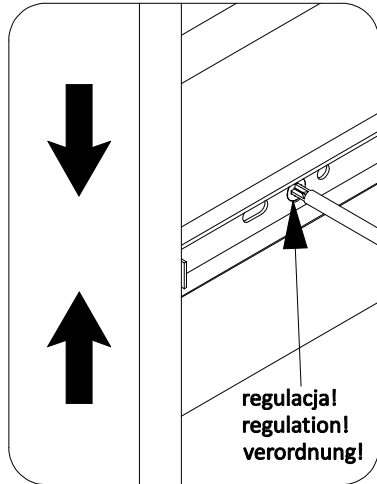


x2

| | |
|---|---|
|  |  |
| W6 4x | U 2x |



25



26

